

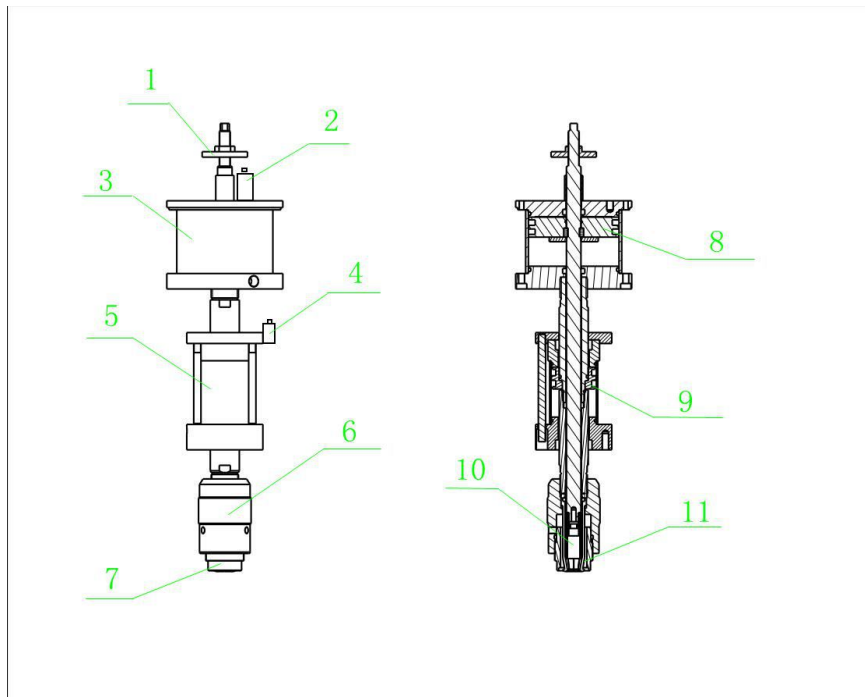
Acceptance Conditions Of JRPACKING Aerosol (Spray) Valve

Sealing Device (JRSQB01-2015)

JRPACKING aerosol(spray) valve sealing device is dedicated to sealing devices for aerosol and spray valve (including Outsourcing valve sealing and internal support etc.). Must meet the requirement of pressure tank accurate sealing.

Designed as requirement with matching sealing claw head、pushing rod and position limitation system

Sketch Map of standard configuration:



- 1 Sealing diameter regulating position
- 2 Valve sealing finish signal valve
- 3 High pressure valve sealing actuating cylinder
- 4 Position signal valve
- 5 Position actuating cylinder
- 6 Valve sealing assembly
- 7 Sealing depth regulating position
- 8 Valve sealing actuating piston ring
- 9 position actuating piston ring
- 10 Sealing claw head
- 11 Sealing valve pushing rod

Items of acceptance、 methods and standards of inspection

1. Overall situations:

Overall surface smooth without burr, uniform smoothness; Welding adapts to GB/T 5185-2005 standard, no solder skips, loose screws; Maintenance oil and



Jrpacking Tech Co., Ltd

Email: sales@jrpacking.com

website: www.jrpacking.com

protective oil added in place free of blind corner

Acceptance method: manual.

2. Operating Inspection:

Inspection Items	Inspection standard	Inspection methods
High pressure gas tightness detection of a thousand tanks	Leakage rate below 0.5% in 50°C water bath inspection	Water bath inspection(semi-automatic , automatic)
Sealing diameter inspection	1 "inner opening diameter parameter 27.1-27.3mm	Special sealing diameter measuring instrument
Sealing depth inspection	1 "inner opening depth parameter	Special sealing depth measuring instrument

3. Enclosed documents:

Delivery Inspection Record- The original data form of testing and inspection(Figure1)

Operation and maintenance manuals(Figure2)

Certificate of conformity(Figure3)

Delivery Inspection Record

Machine serial number:

Assembler:

Inspection Items	Inspection standard	Inspection result
Overall appearance inspection	Overall surface smooth without burr, uniform smoothness	Standard compliant
Overall fastness inspection	Welding adapts to GB/T 5185-2005 standard, no solder skips, loose screws	Standard compliant
Overall maintenance inspection	Maintenance oil and protective oil added in place free of blind corner	Overall in place
High pressure gas tightness detection of a thousand tanks	Leakage rate below 0.5% in 50°C water bath inspection	Below 0.5%
Sealing diameter inspection	1 "inner opening diameter parameter 27.1-27.3mm	Requirement compliant
Sealing depth inspection	1 "inner opening depth parameter	Requirement compliant
Inspector:	Date of inspection:	Conclusion:
		Qualified:

Wuhan Jrpacking Co., Ltd

Figure 1



Jrpacking Tech Co., Ltd

Email: sales@jrpacking.com

website: www.jrpacking.com

JRPACKING Aerosol (Spray) Valve Sealing Device

Instruction manual
Wuhan Jrpacking Co., Ltd

Figure2
Wuhan Jrpacking Co., Ltd

Certificate of conformity

Product name- aerosol (spray) valve sealing device
product number-(Random number)
Product standard- JRSQB01-2015
Date of Production- Date / Month / Year
Producer-
Inspector-
Inspection conclusion-Qualified

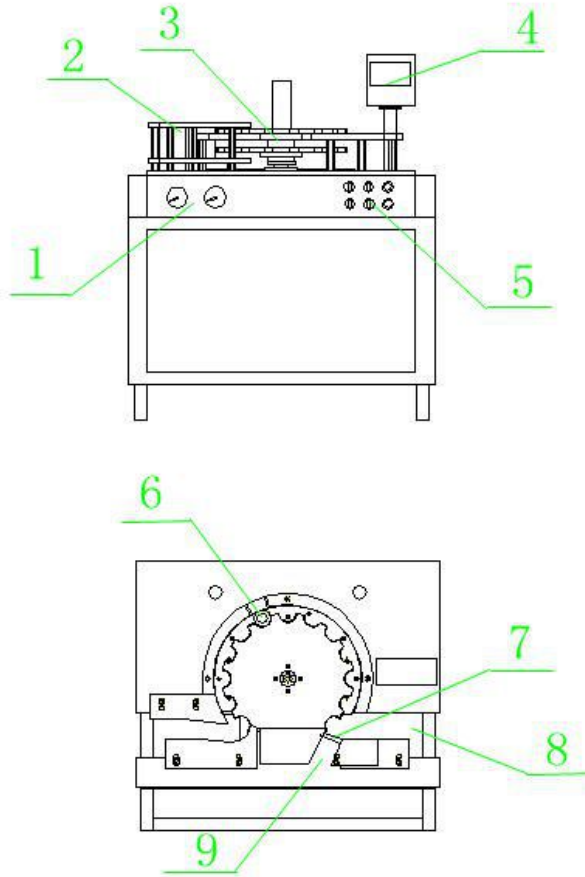
Figure3

Acceptance Conditions Of JRPACKING Full Automatic

Weighing And Sorting Device (JRSQB20-2016)

JRPACKING new high speed aerosol tank weighing and sorting device. Structures differ from devices due to different specifications of tanks. Must meet the requirement of pressure tank precision measuring, and meet the weighing mode like high speed weighing and one tank repeatedly at the same time. The system kick unqualified tanks automatically after precise calculating the actual weight. Designed as required, with tank sorting turntable、high precision electronic balance for top rod、strong PLC supporting system and fast tank kicking sorting track.

Sketch Map of standard configuration:



1 working pressure gauge 2 Guiding board for tank entry 3 Tank sorting turntable 4 PLC display 5 automatic control 6 Weighing sensor 7 Sorting reversing track 8 Qualified products exporting track 9 Unqualified products exporting track

Items of acceptance、 methods and standards of inspection

1. Overall situations: Overall surface smooth without burr, uniform smoothness; Welding adapts to GB/T 5185-2005 standard, no solder skips, loose screws; Maintenance oil and protective oil added in place free of blind corner

Acceptance method: manual.

2. Operating Inspection:



Jrpacking Tech Co., Ltd

Email: sales@jrpacking.com

website: www.jrpacking.com

Inspecting Items	Inspecting standard	Inspecting method
Static weighing detection of a thousands tanks	Weighing error below 0.2 g/ 100 g	High-precision electronic calibration
Automatic tank kicking sorting detection	Leading and lagging tank kicking rate below 0.1%	8 hours online statistics
Dynamic weighing detection of a thousands tanks	Weighing error below 0.5 g/ 100 g	High-precision electronic calibration

3. Enclosed documents:

Delivery Inspection Record- The original data form of testing and inspection(Figure1)

Operation and maintenance manuals(Figure2)

Certificate of conformity(Figure3)

Delivery Inspection Record

Machine serial number:

Assembler:

Inspecting Items	Inspection standard	Inspection result
Overall appearance inspection	Overall surface smooth without burr, uniform smoothness	Standard compliant
Overall fastness inspection	Welding adapts to GB/T 5185-2005 standard, no solder skips, loose screws	Standard compliant
Overall maintenance inspection	Maintenance oil and protective oil added in place free of blind corner	Overall in place
Static weighing detection of a thousands tanks	Weighing error below 0.2 g/ 100 g	High-precision electronic calibration
Automatic tank kicking sorting detection	Leading and lagging tank kicking rate below 0.1%	8 hours online statistics
Dynamic weighing detection of a thousands tanks	Weighing error below 0.5 g/ 100 g	High-precision electronic calibration
Inspector	Date of inspection	Conclusion: Qualified

Wuhan Jrpacking Co Ltd

Figure 1

JRPACKING full automatic weighing and sorting device

Instruction manual

Wuhan Jrpacking Co Ltd

Figure2



Jrpacking Tech Co., Ltd

Email: sales@jrpacking.com

website: www.jrpacking.com

Wuhan Jrpacking Co Ltd

Certificate of conformity

Product name- full automatic weighing and sorting device

product number-(Random number)

Product standard- JRSQB20-2016

Date of Production- Date / Month / Year

Producer-

Inspector-

Inspection conclusion-Qualified

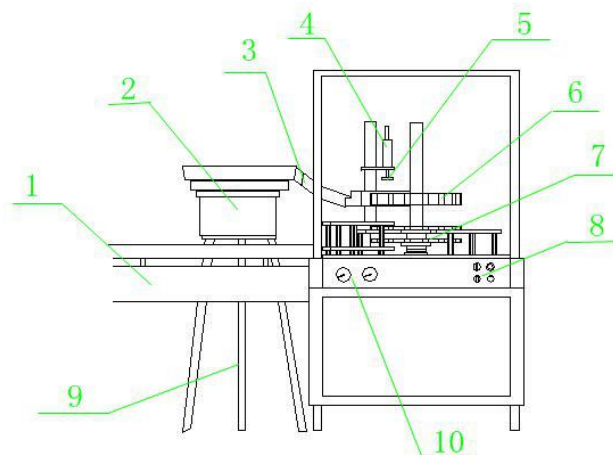
Figure3

Acceptance Conditions Of JRPACKING Automatic Cap

Presser System (JRSQB23-2014)

JRPACKING automatic pneumatic nozzle pressing system (automatic cap presser system) is providing automatic cap sorting、automatic cap positioning and automatic cap presser devices against external covers in different shapes, including small round caps、large round caps and siamesed round caps. Structures differ from devices due to different specifications of external covers. Must meet the requirement of cap sorting accuracy、high speed cap positioning and high speed cap presser. Designed as required with matching cover sorting machine、cover conveying track and automatic cover positioning and bulking system.

Sketch Map of standard configuration:





Jrpacking Tech Co., Ltd

Email: sales@jrpacking.com

website: www.jrpacking.com

1 Conveying belt into tank 2 Cover sorting machine 3 Cover conveying track 4 Cover bulking actuating air cylinder 5 Cover bulking rod 6 Cover positioning system 7 Conveying turntable 8 Automatic control system 9 Cover sorting machine over sorting machine shock-proof feet 10 working air pressure gauge

Items of acceptance、 methods and standards of inspection

1. Overall situations: Overall surface smooth without burr, uniform smoothness; Welding adapts to GB/T 5185-2005 standard, no solder skips, loose screws; Maintenance oil and protective oil added in place free of blind corner
Acceptance method: manual.

2. Operating Inspection:

Inspecting Items	Inspecting standard	Inspecting method
Automatic cover sorting high efficiency testing	8 hours auto running, cover sorting accuracy rate above 99.9%, to meet the high speed continuous valve supplying	Abnormal data statistics during automatic cover sorting system continuous running
Cover conveying track expediency testing	8 hours auto running, failure rate below 0.05%	Failure data statistics during automatic cover conveying system continuous running
Automatic cover positioning and bulking stability testing	8 hours auto running, failure rate below 0.05%	Failure data statistics during automatic cover bulking system continuous running

3. Enclosed documents:

Delivery Inspection Record- The original data form of testing and inspection(Figure1)

Operation and maintenance manuals(Figure2)

Certificate of conformity(Figure3)

Delivery Inspection Record

Machine serial number:

Assembler:

Inspecting Items	Inspection standard	Inspection result
Overall appearance inspection	Overall surface smooth without burr, uniform smoothness	Standard compliant
Overall fastness inspection	Welding adapts to GB/T 5185-2005 standard, no solder skips, loose screws	Standard compliant
Overall maintenance inspection	Maintenance oil and protective oil added in place free of blind corner	Overall in place
Automatic cover sorting high efficiency testing	8 hours auto running, cover sorting accuracy rate above 99.9%, to meet	Abnormal data statistics during automatic cover



Jrpacking Tech Co., Ltd

Email: sales@jrpacking.com

website: www.jrpacking.com

	the high speed continuous valve supplying	sorting system continuous running
Cover conveying track expediency testing	8 hours auto running, failure rate below 0.05%	Failure data statistics during automatic cover conveying system continuous running
Automatic cover positioning and bulking stability testing	8 hours auto running, failure rate below 0.05%	Failure data statistics during automatic cover bulking system continuous running
Inspector:	Date of inspection:	Conclusion: Qualified:

Wuhan Jrpacking Co., Ltd

Figure 1

JRPACKING Automatic Cap Presser System

Instruction manual

Wuhan Jrpacking Co., Ltd

Figure2

Wuhan Jrpacking Co., Ltd

Certificate of conformity

Product name- automatic cap presser system

Product number-(Random number)

Product standard- JRSQB23-2014

Date of Production- Date / Month / Year

Producer-

Inspector-

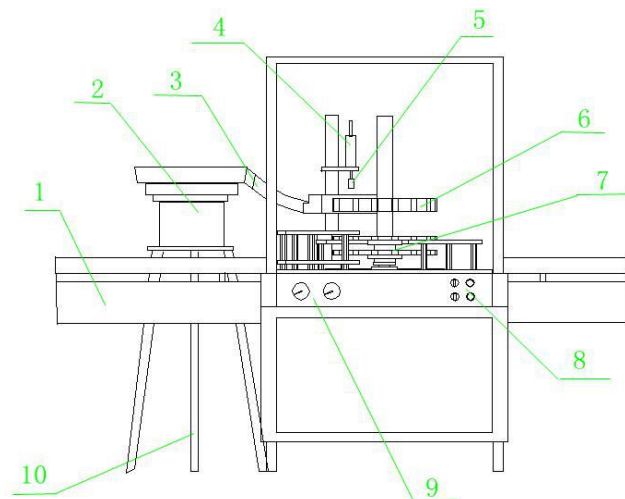
Inspection conclusion-Qualified

Figure3

Acceptance Conditions Of JRPACKING Automatic Pneumatic Nozzle Pressing System (JRSQB22-2014)

JRPACKING automatic pneumatic nozzle pressing system is providing automatic sorting 、 automatic nozzle positioning and automatic nozzle pressing devices against nozzles in different shapes, including small nozzles、 large nozzles and siamesed nozzles. Structures differ from devices due to different specifications of nozzles. Must meet the requirement of nozzle sorting accuracy 、 high speed nozzle positioning and high speed nozzle pressing. Designed as required with matching nozzle sorting machine 、 nozzle conveying track and automatic nozzle positioning and pressing system.

Sketch Map of standard configuration:



1 Conveying belt into tank 2 nozzle sorting machine 3 Nozzle conveying track 4 Nozzle pressing actuating air cylinder 5 Nozzle pressing rod 6 Nozzle pressing and positioning system 7 Conveying turntable 8 Automatic control system 9 working air pressure gauge

Items of acceptance、 methods and standards of inspection

1. **Overall situations:** Overall surface smooth without burr, uniform smoothness; Welding adapts to GB/T 5185-2005 standard, no solder skips, loose screws; Maintenance oil and protective oil added in place free of blind corner
Acceptance method: manual.



Jrpacking Tech Co., Ltd

Email: sales@jrpacking.com

website: www.jrpacking.com

2. Operating Inspection:

Inspecting Items	Inspecting standard	Inspecting method
Automatic nozzle sorting high efficiency testing	8 hours auto running, nozzle sorting accuracy rate above 99.9%, to meet the high speed continuous valve supplying	Abnormal data statistics during automatic nozzle sorting system continuous running
Nozzle conveying track expediency testing	8 hours auto running, failure rate below 0.05%	Failure data statistics during automatic nozzle conveying system continuous running
Automatic nozzle positioning and pressing stability testing	8 hours auto running, failure rate below 0.05%	Failure data statistics during automatic nozzle pressing system continuous running

3. Enclosed documents:

Delivery Inspection Record- The original data form of testing and inspection(Figure1)

Operation and maintenance manuals(Figure2)

Certificate of conformity(Figure3)

Delivery Inspection Record

Machine serial number:

Assembler:

Inspection Items	Inspection standard	Inspection result
Overall appearance inspection	Overall surface smooth without burr, uniform smoothness	Standard compliant
Overall fastness inspection	Welding adapts to GB/T 5185-2005 standard, no solder skips, loose screws	Standard compliant
Overall maintenance inspection	Maintenance oil and protective oil added in place free of blind corner	Overall in place
Automatic nozzle sorting high efficiency testing	8 hours auto running, nozzle sorting accuracy rate above 99.9%, to meet the high speed continuous valve supplying	Abnormal data statistics during automatic nozzle sorting system continuous running
Nozzle conveying track expediency testing	8 hours auto running, failure rate below 0.05%	Failure data statistics during automatic nozzle conveying system continuous running
Automatic nozzle positioning and pressing stability testing	8 hours auto running, failure rate below 0.05%	Failure data statistics during automatic nozzle pressing system continuous running
Inspector:	Date of inspection:	Conclusion: Qualified:

Wuhan Jrpacking Co., Ltd



Jrpacking Tech Co., Ltd

Email: sales@jrpacking.com

website: www.jrpacking.com

Figure 1

JRPACKING Automatic Nozzle Pressing System

Instruction manual

Wuhan Jrpacking Co., Ltd

Figure2

Wuhan Jrpacking Co., Ltd

Certificate of conformity

Product name- automatic nozzle pressing system

product number-(Random number)

Product standard- JRSQB22-2014

Date of Production- Date / Month / Year

Producer-

Inspector-

Inspection conclusion-Qualified

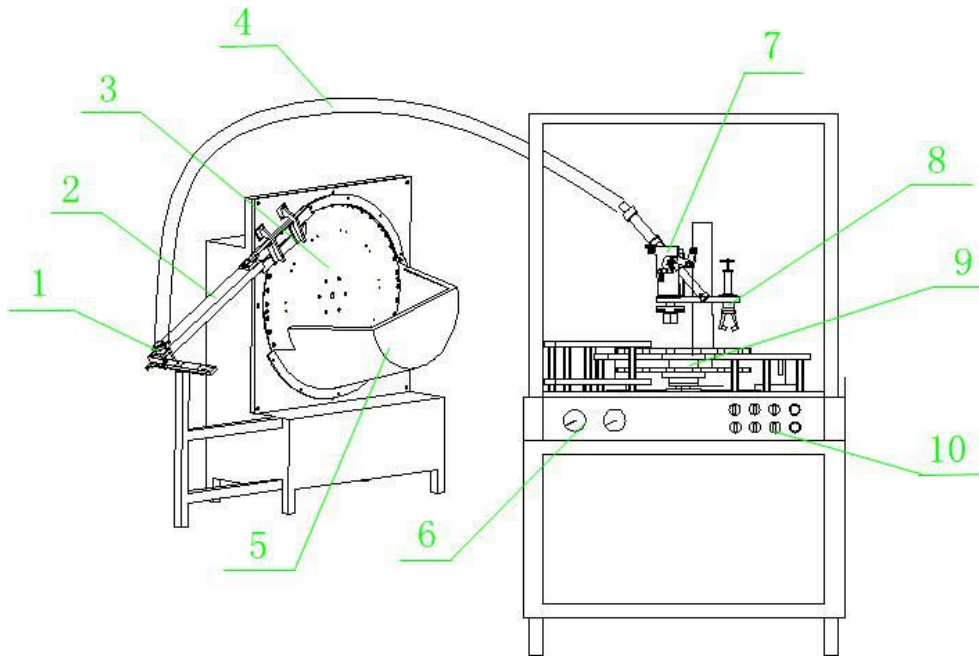
Figure3

Acceptance Conditions Of JRPACKING Automatic Pneumatic

Valve Mounting System (JRSQB24-2014)

JRPACKING automatic pneumatic nozzle pressing system (automatic pneumatic valve mounting system) is providing automatic valve sorting、 valve mounting、 valve stabling devices against different kind of valves, including tinplate valve、 aluminum valve、 tailed valve、 tailless valve, and the structures differ from devices due to different specifications of valves. Must meet the requirement of valve sorting accuracy, high speed valve mounting、 and valve stabling. Designed as required with matching valve sorting device 、 vibration plate、 valve conveying track and automatic valve positioning system

Sketch Map of standard configuration:



1 Valve conveying start device 2 Valve sorting track 3 Electric valve sorting machine 4 Valve conveying track 5 valve storage container 6 Working air pressure gauge 7 Automatic valve positioning system 8 Automatic valve stabling device 9 Positioning turntable 10 Safety button

Items of acceptance、 methods and standards of inspection

1. Overall situations: Overall surface smooth without burr, uniform smoothness; Welding adapts to GB/T 5185-2005 standard, no solder skips, loose screws; Maintenance oil and protective oil added in place free of blind corner
Acceptance method: manual.

2. Operating Inspection:

Inspecting Items	Inspecting standard	Inspecting method
Automatic valve sorting machine high efficiency testing	8 hours auto running,80% or higher rate to get a valve in the valve grabbing position, to meet the high speed continuous valve supplying.	Non-valve counting statistics during valve sorting machine continuous running
Valve conveying track expediency testing	8 hours auto running, failure rate below 0.05%	Statistics during continuous valve mounting



Jrpacking Tech Co., Ltd

Email: sales@jrpacking.com

website: www.jrpacking.com

Automatic valve positioning and stabling stability testing	8 hours auto running, failure rate below 0.05%	Statistics during continuous valve mounting
--	--	---

3. Enclosed documents:

Delivery Inspection Record- The original data form of testing and inspection(Figure1)

Operation and maintenance manuals(Figure2)

Certificate of conformity(Figure3)

Delivery Inspection Record

Machine serial number:

Assembler:

Inspection Items	Inspection standard	Inspection result
Overall appearance inspection	Overall surface smooth without burr, uniform smoothness	Standard compliant
Overall fastness inspection	Welding adapts to GB/T 5185-2005 standard, no solder skips, loose screws	Standard compliant
Overall maintenance inspection	Maintenance oil and protective oil added in place free of blind corner	Overall in place
Automatic valve sorting machine high efficiency testing	8 hours auto running, 80% or higher rate to get a valve in the valve grabbing position, to meet the high speed continuous valve supplying.	Non-valve counting statistics during valve sorting machine continuous running
Valve conveying track expediency testing	8 hours auto running, failure rate below 0.05%	Statistics during continuous valve mounting
Automatic valve positioning and stabling stability testing	8 hours auto running, failure rate below 0.05%	Statistics during continuous valve mounting
Inspector: Date of inspection: Conclusion: Qualified:		

Wuhan Jrpacking Co., Ltd

Figure 1

JRPACKING Automatic Pneumatic Valve Mounting System



Jrpacking Tech Co., Ltd

Email: sales@jrpacking.com

website: www.jrpacking.com

Instruction manual

Wuhan Jrpacking Co., Ltd

Figure2

Wuhan Jrpacking Co., Ltd

Certificate of conformity

Product name- automatic pneumatic valve mounting system

product number-(Random number)

Product standard- JRSQB24-2014

Date of Production- Date / Month / Year

Producer-

Inspector-

Inspection conclusion-Qualified

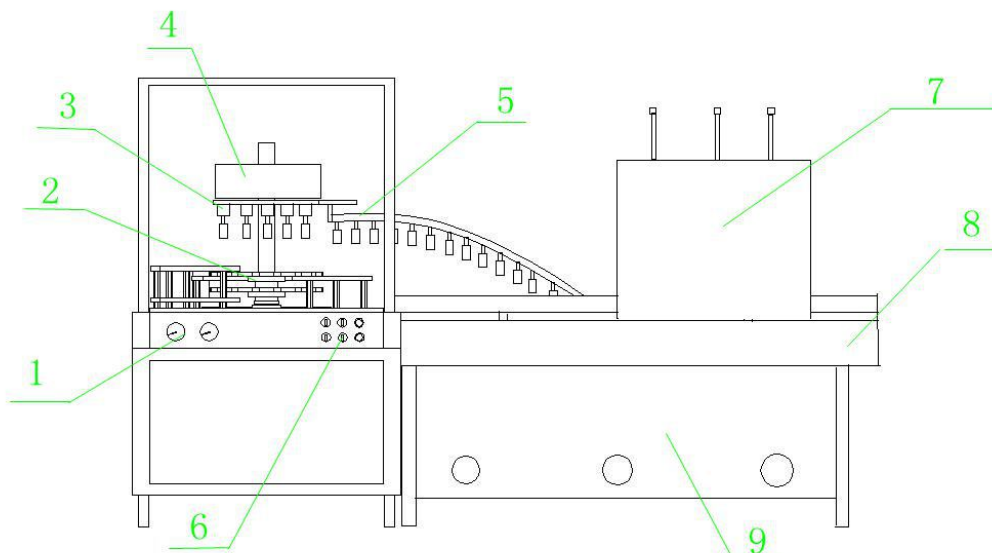
Figure3

Acceptance Conditions Of JRPACKING Automatic Water Bath

Detecting System (JRSQB25-2014)

JRPACKING automatic water bath constant temperature aerosol tank leak detection system is providing abnormal leakage detection and Artificial processing devices against different kinds of aerosol products, and suitable for high pressure leakage detection of aerosol tanks in different Specifications and shapes. Must meet the requirements of temperature control accuracy, firmness during leakage detecting and safety of electric explosion-proof & flame-proof, in the same time, dry the tank fast trough air flow control to ensure the high speed and efficiency of water bath detecting system. Designed as required with matching flame-proof heating & temperature control system、firm and smooth fixture conveying track and full range fast tank blowing system.

Sketch Map of standard configuration:



1 Work pressure gauge 2 Tank exporting turntable after water bath 3 Hanging Fixture 4 Tank importing turntable before water bath 5 Serpentine water bath track 6 Automatic control system 7 full range fast tank blowing device 8 tank exporting track 9 flame-proof water constant temperature control water bath box

Items of acceptance、 methods and standards of inspection

1. Overall situations: Overall surface smooth without burr, uniform smoothness; Welding adapts to GB/T 5185-2005 standard, no solder skips, loose screws; Maintenance oil and protective oil added in place free of blind corner
Acceptance method: manual

2. Operating Inspection:

Inspection Items	Inspection standard	Inspection methods
Automatic temperature control accuracy testing	8 hours automatic temperature control running with temperature difference within $\pm 1^{\circ}\text{C}$	Calibration thermometer
Tank conveying track patency testing	Smooth track, 8 hours automatic trouble-free running	Manual
Hanging fixture stability testing	100% firm jacket mount, abundant spring force	Manual
Full range tank drying speed testing	80 pieces of tanks per minute, with dry tank	High speed running online testing

Safety inspections of facilities: Whole facility with brand explosion-proof motor, EX marked brand flame-proof power distribution cabinet with increased safety measures in it, dual protection for water bath temperature control system works normally. large-caliber rapid



Jrpacking Tech Co., Ltd

Email: sales@jrpacking.com

website: www.jrpacking.com

emergency drain installed, drainage unobstructed.

3. Enclosed documents:

Delivery Inspection Record- The original data form of testing and inspection(Figure1)

Operation and maintenance manuals(Figure2)

Certificate of conformity(Figure3)

Delivery Inspection Record

Machine serial number:

Assembler:

Inspection Items	Inspection standard	Inspection result
Overall appearance inspection	Overall surface smooth without burr, uniform smoothness	Standard compliant
Overall fastness inspection	Welding adapts to GB/T 5185-2005 standard, no solder skips, loose screws	Standard compliant
Overall maintenance inspection	Maintenance oil and protective oil added in place free of blind corner	Overall in place
Automatic temperature control accuracy testing	8 hours automatic temperature control running with temperature difference within $\pm 1^{\circ}\text{C}$	Calibration thermometer
Tank conveying track patency testing	Smooth track, 8 hours automatic trouble-free running	Manual
Hanging fixture stability testing	100% firm jacket mount, abundant spring force	Manual
Full range tank drying speed testing	80 pieces of tanks per minute, with dry tank	High speed running online testing
Inspector:	Date of inspection:	Conclusion: Qualified:

Wuhan Jrpacking Co., Ltd

Figure 1

JRPACKING Automatic Water Bath Detecting System

Instruction manual

Wuhan Jrpacking Co., Ltd

Figure2



Jrpacking Tech Co., Ltd

Email: sales@jrpacking.com

website: www.jrpacking.com

Wuhan Jrpacking Co., Ltd

Certificate of conformity

Product name- JRPARKING automatic water bath detecting system
product number-(Random number)
Product standard- JRSQB25-2014
Date of Production- Date / Month / Year
Producer-
Inspector-
Inspection conclusion-Qualified

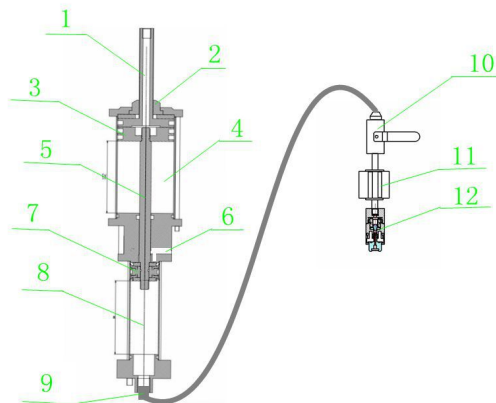
Figure3

Acceptance Conditions Of JRPACKING Gas Filling Metering

Device (JRSQB-201504)

JRPACKING gas filling metering device is providing quantitative filling devices against liquefied gas (including LPG/ DME /R134a /R12 /R22 etc.) and regular gas (including N₂,O₂,CO₂ etc.). Must meet the requirement of liquefied gas precise quantification and high speed filling. Designed as required with matching inflation head and high pressure gauge system.

Sketch Map of standard configuration:



1 Liquefied gas metering display device 2 Metering adjusting device 3 High pressure inflating actuating piston 4 High pressure filling actuating cylinder 5 Siamese cylinder actuating lever 6 Liquefied gas pressure gauge 7 Metering cylinder piston ring 8 Stainless steel high-pressure metering cylinder 9 Metering cylinder outlet 10 Ball relief valve 11



Jrpacking Tech Co., Ltd

Email: sales@jrpacking.com

website: www.jrpacking.com

Inflation head actuating cylinder 12 High airtight inflation head

Items of acceptance、 methods and standards of inspection

1. Overall situations: Overall surface smooth without burr, uniform smoothness; Welding adapts to GB/T 5185-2005 standard, no solder skips, loose screws; Maintenance oil and protective oil added in place free of blind corner

Acceptance method: manual.

2. Operating Inspection:

Inspecting Items	Inspecting standard	Inspecting method
3.0Mpa high pressure airtight detection	No leakage in high pressure leak detection	water bath inspection
100 g/gas filling speed test	Within 5s under 0.6Mpa air pressure testing	Proper filling, stopwatch statistics
10 gas filling accuracy test	Continuous stable 30 tanks with error under 1%	Electronic weighing test
Gas filling natural consumption reducing test	100g consumption reduced out of 100kg	Electronic weighing statistics while filling

3. Enclosed documents:

Delivery Inspection Record- The original data form of testing and inspection(Figure1)

Operation and maintenance manuals(Figure2)

Certificate of conformity(Figure3)

Delivery Inspection Record

Machine serial number:

Assembler:

Inspection Items	Inspection standard	Inspection result
Overall appearance inspection	Overall surface smooth without burr, uniform smoothness	Standard compliant
Overall fastness inspection	Welding adapts to GB/T 5185-2005 standard, no solder skips, loose screws	Standard compliant
Overall maintenance inspection	Maintenance oil and protective oil added in place free of blind corner	Overall in place
3.0Mpa high pressure airtight detection	No leakage in 3.0Mpa high pressure leak detection	water bath inspection
100 g/gas filling speed test	Within 5s under 0.6Mpa air pressure testing	Proper inflation , stopwatch statistics
10g/ gas filling accuracy test	Continuous stable 30 tanks with error under 1%	Electronic weighing test



Jrpacking Tech Co., Ltd

Email: sales@jrpacking.com

website: www.jrpacking.com

Gas filling natural consumption reducing test	100g consumption reduced out of 100kg	Electronic weighing statistics while filling
Inspector:	Date of inspection:	Conclusion: Qualified:

Wuhan Jrpacking Co., Ltd

Figure 1

JRPACKING Gas Filling Metering Device

Instruction Manual

Wuhan Jrpacking Co., Ltd

Figure2

Wuhan Jrpacking Co., Ltd

Certificate of conformity

Product name- air inflation metering device
product number-(Random number)
Product standard- JRSQB-201504
Date of Production- Date / Month / Year
Producer-
Inspector-
Inspection conclusion-Qualified

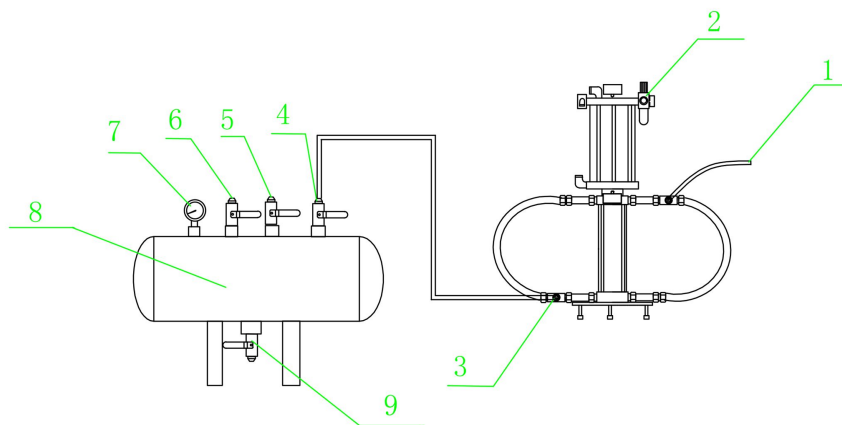
Figure3

Acceptance Conditions Of JRPACKING Liquefied Gas Booster

(JRSQB-201503)

JRPACKING inflation metering device is dedicated to booster liquefaction device for liquefied gas (including LPG/ DME /R134a /R12 /R22 etc.).Must meet the requirement of accurate quantification controlling and rapid liquefaction boosting of liquefied gas. Designed with matching air tank and high pressure safe vales system

Sketch Map of standard configuration:



1 Liquefied gas cylinder interface 2 High pressure safety valve 3 High pressure liquefied gas outlet 4 Gas tank air inlet 5 Gas tank air outlet 6 Gas tank vent 7 Gas tank pressure gauge 8 Gas tank pressure gauge 9 Gas tank drain

Items of acceptance、 methods and standards of inspection

1. Overall conditions: Overall surface smooth without burr, uniform smoothness; Welding adapts to GB/T 5185-2005 standard, no solder skips, loose screws; Maintenance oil and protective oil added in place free of blind corner
Acceptance method: manual.

2. Operating Inspection:

Inspection Items	Inspection standard	Inspection methods
2.0MPA High pressure air tightness detection	No leakage under 2.0MPA High pressure air tightness detection	Water bath inspection
0-2MPA boosting speed test	Less than 10 seconds to 0.3MPA	Stopwatch
2MPA air tightness stability detection	Stable pressure for more than 15 minutes under static state	Stopwatch

3. Enclosed documents:

Delivery Inspection Record- The original data form of testing and inspection(Figure1)

Operation and maintenance manuals(Figure2)

Certificate of conformity(Figure3)



Jrpacking Tech Co., Ltd

Email: sales@jrpacking.com

website: www.jrpacking.com

Delivery Inspection Record

Machine serial number

Assembler

Inspection Items	Inspection standard	Inspection result
Overall appearance inspection	Overall surface smooth without burr, uniform smoothness	Standard compliant
Overall fastness inspection	Welding adapts to GB/T 5185-2005 standard, no solder skips, loose screws	Standard compliant
Overall maintenance inspection	Maintenance oil and protective oil added in place free of blind corner	Overall in place
2.0MPA High pressure air tightness detection	No leakage under 2.0MPA High pressure air tightness detection	No leakage
0-2MPA boosting speed test	Less than 10 seconds to 0.3MPA	Qualified
2MPA air tightness stability detection	Stable pressure for more than 15 minutes under static state	Qualified
Inspector:	Date of inspection:	Conclusion: Qualified:

Wuhan Jrpacking Co., Ltd

Figure 1

Wuhan Jrpacking Co., Ltd

Instruction Manual

Wuhan Jrpacking Co., Ltd

Figure2

Wuhan Jrpacking Co., Ltd

Certificate of conformity

Product name- Liquefied gas booster pump

Product number-(Random number)

Product standard- JRSQB-201503

Date of Production- Date / Month / Year

Producer-

Inspector-

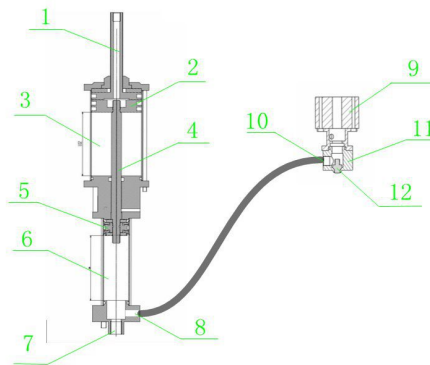
Inspection conclusion-Qualified

Figure3

Acceptance Conditions Of JRPACKING Material Filling Metering Device (JRSQB-201505)

JRPACKING material filling metering device is providing quantitative filling devices against liquid、Paste. Must meet the requirement of precise quantification and high-speed filling of material. Designed as required with matching filling head and pistol metering system.

Sketch Map of standard configuration:



1 Material filling metering ruler 2 Power cylinder piston 3 High pressure filling power cylinder 4 Power Link 5 Material metering cylinder wear-resistant piston ring 6 Stainless steel material storage metering cylinder 7 Material self suction inlet 8 High pressure outlet 9 Filling head pneumatic switch 10 Filling head material inlet 11 Filling head material cavity 12 Filling head anti- drip seal ring

Items of acceptance、 methods and standards of inspection

1. Overall situations: Overall surface smooth without burr, uniform smoothness; Welding adapts to GB/T 5185-2005 standard, no solder skips, loose screws; Maintenance oil and protective oil added in place free of blind corner

Acceptance method: manual.

2. Operating Inspection:

Inspecting Items	Inspecting standard	Inspecting method
2.0Mpa high pressure airtight detection	No leakage in 2.0Mpa Nitrogen high pressure leak detection	water bath inspection
100 g/gas filling speed test	Within 3s under 0.6Mpa air pressure	Proper filling, stopwatch



Jrpacking Tech Co., Ltd

Email: sales@jrpacking.com

website: www.jrpacking.com

	testing	statistics
10g/ gas filling accuracy test	Continuous stable 30 tanks with error under 1%	Electronic weighing
Liquid filling head drip tight test	Liquid filling head with drip tight in 3 seconds	Stopwatch counting after filling

3. Enclosed documents:

Delivery Inspection Record- The original data form of testing and inspection(Figure1)

Operation and maintenance manuals(Figure2)

Certificate of conformity(Figure3)

Delivery Inspection Record

Machine serial number:

Assembler:

Inspection Items	Inspection standard	Inspection result
Overall appearance inspection	Overall surface smooth without burr, uniform smoothness	Standard compliant
Overall fastness inspection	Welding adapts to GB/T 5185-2005 standard, no solder skips, loose screws	Standard compliant
Overall maintenance inspection	Maintenance oil and protective oil added in place free of blind corner	Overall in place
2.0Mpa high pressure airtight detection	No leakage in 2.0Mpa Nitrogen high pressure leak detection	water bath inspection
100 g/gas filling speed test	Within 3s under 0.6Mpa air pressure testing	Proper filling, stopwatch statistics
10g/ gas filling accuracy test	Continuous stable 30 tanks with error under 1%	Electronic weighing
Liquid filling head drip tight test	Liquid filling head with drip tight in 3 seconds	Stopwatch counting after filling
Inspector:	Date of inspection:	Conclusion:
		Qualified:

Wuhan Jrpacking Co., Ltd

Figure 1

JRPACKING Material Filling Metering Device

Instruction manual



Jrpacking Tech Co., Ltd

Email: sales@jrpacking.com

website: www.jrpacking.com

Wuhan Jrpacking Co., Ltd

Figure2

Wuhan Jrpacking Co., Ltd

Certificate of conformity

Product name- material filling metering device

product number-(Random number)

Product standard- JRSQB-201505

Date of Production- Date / Month / Year

Producer-

Inspector-

Inspection conclusion-Qualified

Figure3